



# PEGGY ONE

## Designed for the flexible workplace

Peggy One is a mobile floorstand made to encourage collaboration, engagement and equality within teams, no matter where individuals are located. With a clear focus on mobility and flexibility, Peggy One provides a hassle-free integration of your electronic equipment and makes them suitable for use in all areas of the office space.

Peggy One can be easily moved around the office, allowing you to quickly and easily switch between workspaces. For example, you can use it in a meeting room, move it to a collaborative workspace, or use it at your own desk. This versatility makes it an ideal tool for hybrid work environments, where you need to move around and adapt to different situations.

This Peggy One floorstand comes pre-configured with the most popular features from our Award-winning Peggy One platform. Being a Core product it also has the great benefit of a short leadtime.

### PRODUCT INFO

#### PLACEMENT

Mobile

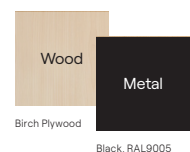
#### Article number

13-001-22

#### PRODUCT COLOR

Metal in Black RAL 9005 +

13mm Birch Plywood.



#### STORAGE SPACE

Yes, storage space behind the panels and in storage bins and shelves on the front and back.

#### WHEELS

75mm lockable Tente-castors.

#### CABLE MANAGEMENT

2x cable outlets in front panel with magnetic covers.

Cable outlets in top and bottom.

Cable management in legs.

#### SIZE (WxDxH)

947 x 531 x 1896 mm

#### WARRANTY

5 years

#### CONNECTIVITY

3x EU power outlets inside panels

1x USB-C 3.1 Alt-Mode with 1m cable inside panels

1x USB-A 3.0 with female outlet inside panels

Designed in Sweden & manufactured in EU



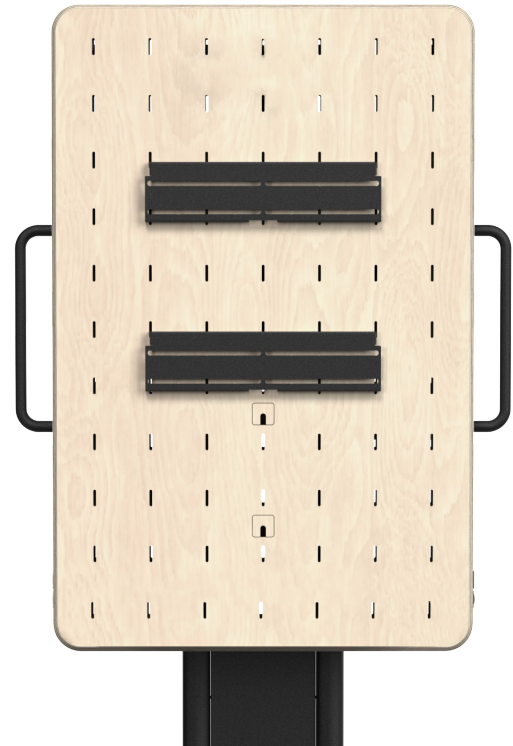
We reserve the right to introduce changes in the solution specifications after the printing and publication of this document.

---

# PEGGY ONE

While the amount of equipment on ordinary floor-stands are limited, the large mounting interface on Peggy One can carry everything you need.

- Use our flexible brackets and accessories to fasten your devices, or simply secure equipment directly to the panels.
- The panels are made of 13mm plywood so it is easy to attach the devices with regular wood screws.
- Another great thing with wooden panels is that it can easily be refurbished after years of use. Just give it a brush with a sand paper and put on a coat of varnish and it will look like new again.



## With mobility in focus

- Sometimes a focused meeting room atmosphere is needed, but on other occasions the comfort of the lounge sofas is just as important.
- With the mobility of Peggy One, sharing equipment between office areas is easy. This reduces the need for fixed installations with expensive AV equipment – beneficial for both wallet and environment. Large wheels and oversized handles make this product easy to move around.
- With the detachable back cover that easily turns in to a spacious laptop shelf, you will always be ready for a presentation.



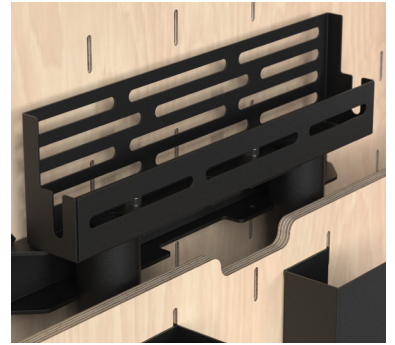
# PEGGY ONE



4X HANGERS



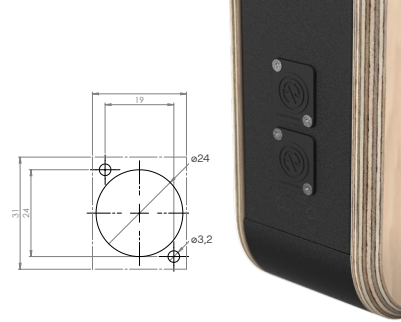
USB-C + USB-A



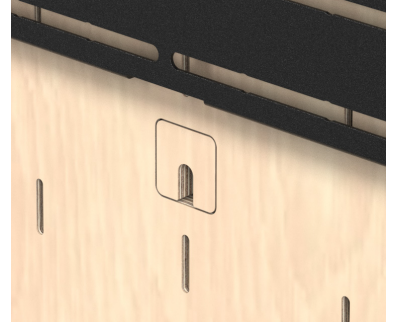
INTERNAL ELECTRONIC SHELF



2X SMALL AND 1 LARGE BIN



2X ADDITIONAL PANEL MOUNT HOLES



2X CABLE OUTLETS WITH COVER



We reserve the right to introduce changes in the solution specifications after the printing and publication of this document.

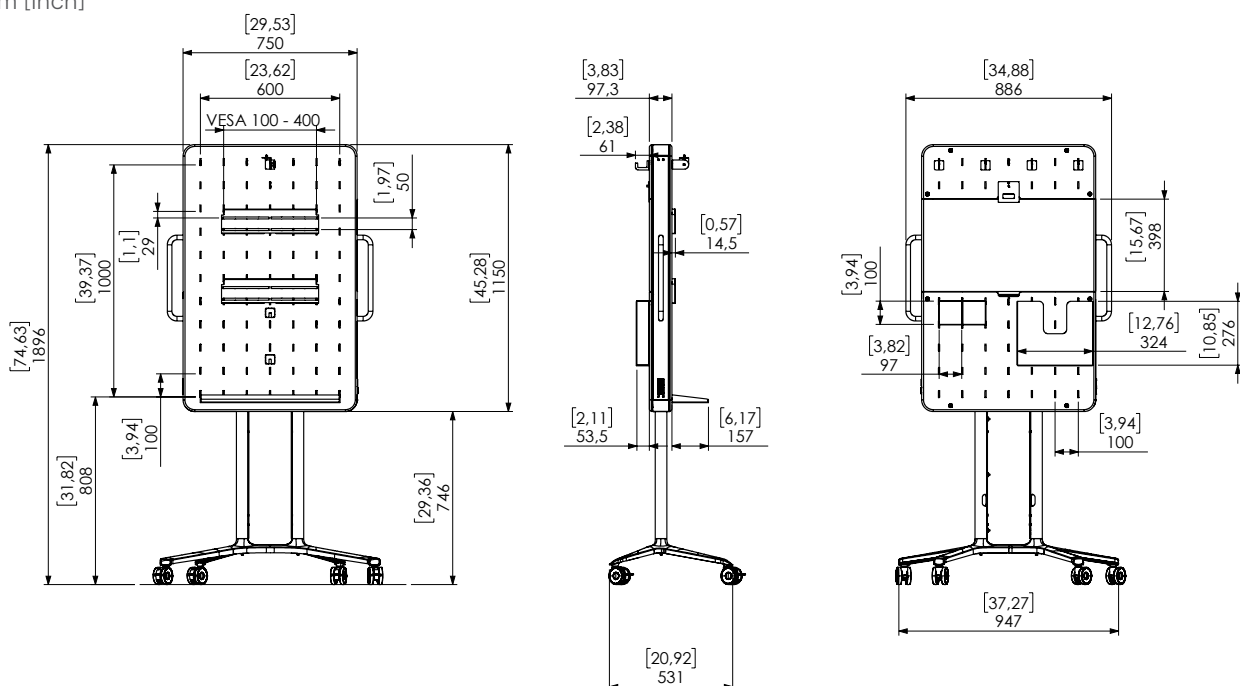


# PEGGY ONE



## DIMENSIONS

mm [inch]



We reserve the right to introduce changes in the solution specifications after the printing and publication of this document.