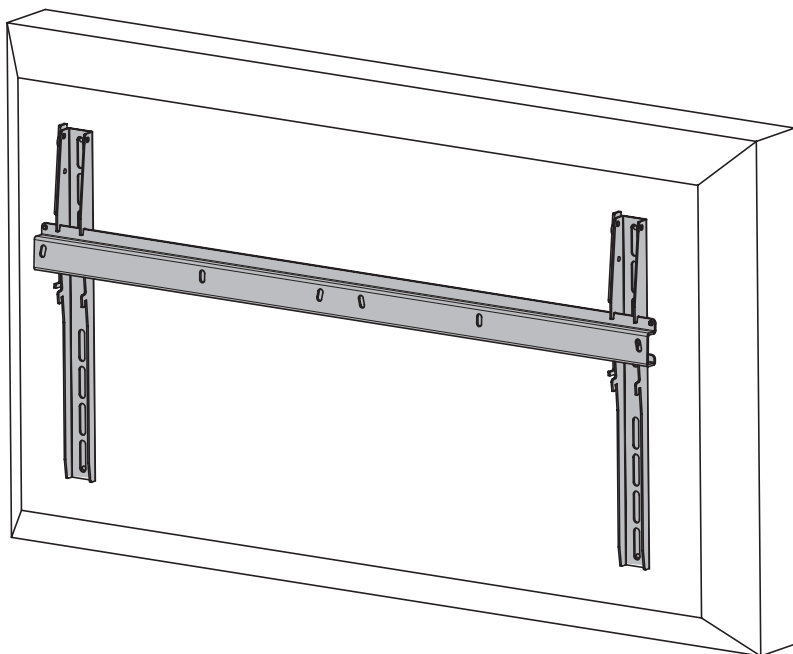
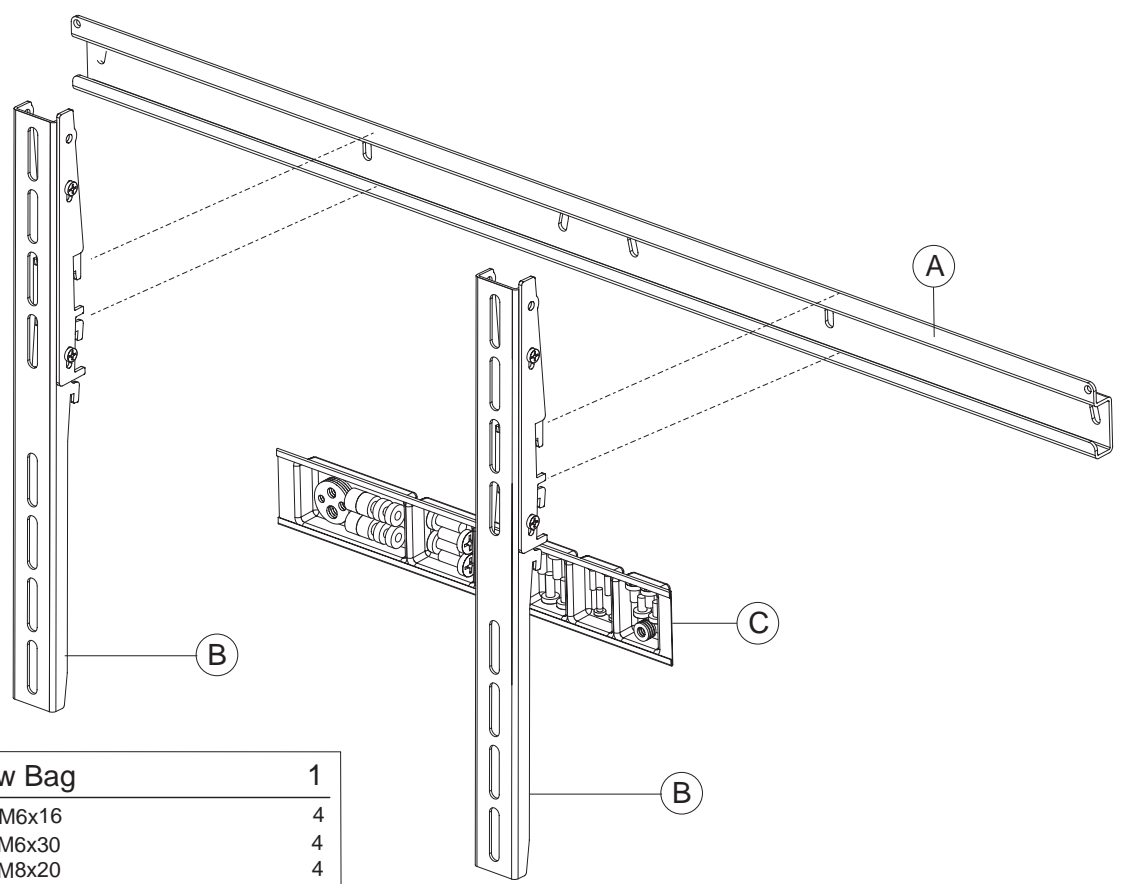
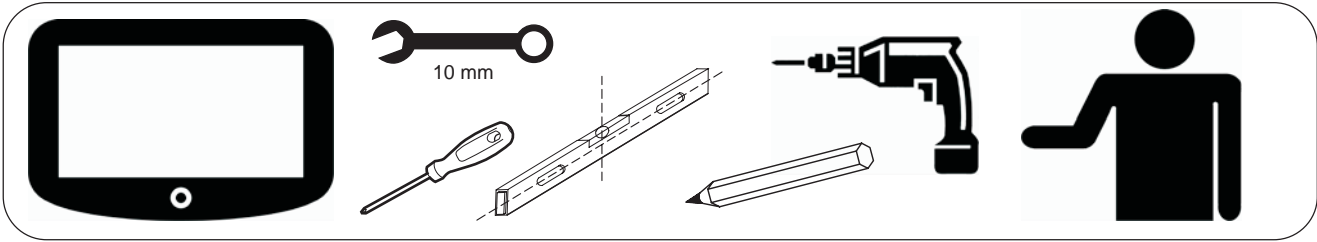


MANUAL

- GB – Instructions for Mounting
- DE – Montageinformation
- IT – Istruzioni per il montaggio
- ES – Instrucciones para el montaje
- FI – Asennusohjeet
- FR – Instructions de montage
- NL – Montagevoorschriften
- PL – Instrukcja montażu
- RUS – Инструкция по монтажу
- ARB – عربي - طريقة التركيب
- SE – Monteringsinstruktion
- GR – Πληροφορίες συναρμολόγησης





| C | Screw Bag | | 1 |
|---|----------------------------|--|---|
| | Screw M6x16 | | 4 |
| | Screw M6x30 | | 4 |
| | Screw M8x20 | | 4 |
| | Screw M8x40 | | 4 |
| | Spacer plastic d8,2/D15x15 | | 4 |
| | Spacer plastic d6,1/D15x10 | | 4 |
| | Washer 6,4 | | 4 |
| | Multiple washer | | 4 |
| | Screw M6x10 | | 4 |
| | Allen Key 4 | | 2 |

| | | | |
|---|--------------|---|--|
| A | Wall Plate | 1 | |
| B | Vertical Bar | 2 | |
| C | Screw Bag | 1 | |

